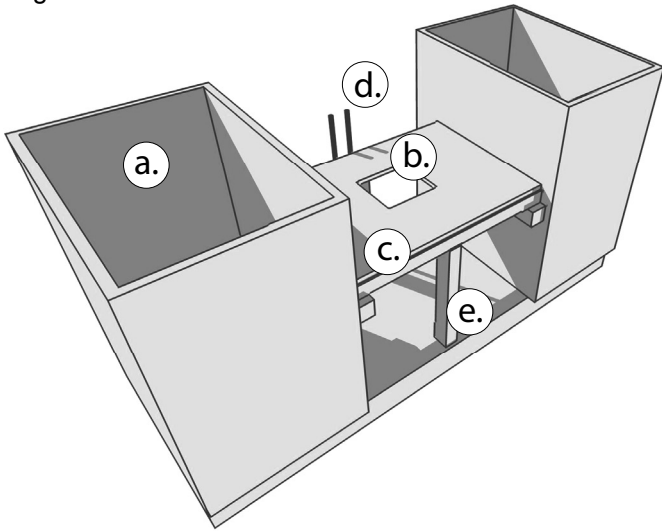


**BELFAST**  
INSTALLATION  
MANUAL

**BOCCHI**

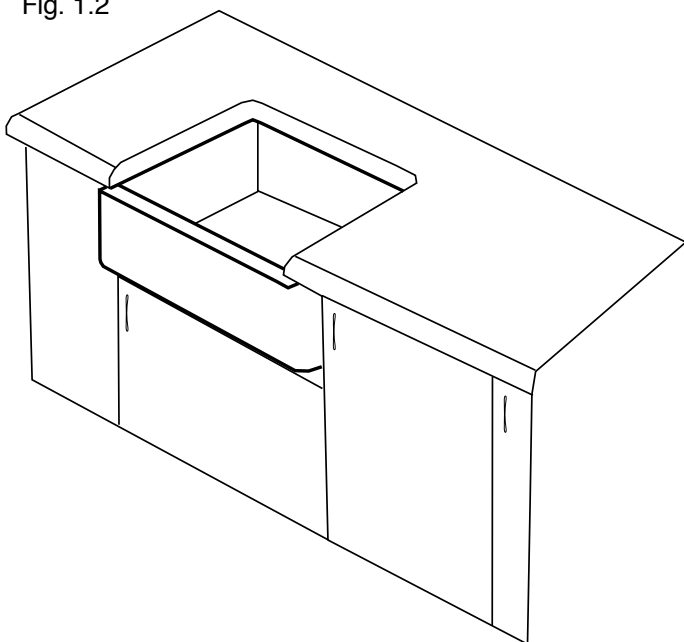
# INSTRUCTIONS

Fig. 1.1



Key	Description
a.	Surrounding cupboards or end panels
b.	Hole for waste connections (min recommended dia. 150mm for each waste, centred to waste)
c.	Supporting shelf (moisture resistant timber or similar, ensure framework sits directly under the product)
d.	Incoming hot and cold supply pipes
e.	Supporting uprights (front & back)

Fig. 1.2



## You will need:

Electric saw with jigsaw fitment or a router  
Translucent silicone sealant

## Notes prior to installation:

- If you are installing your Belfast sink into a granite or marble worktop, ensure the cut-out is done by a professional fabricator.
- As ceramic sinks can have slight dimensional variations, these instructions are intended as general guidelines only.
- The positioning of your sink will depend on its alignment with cabinet gables, supports, and the location of the tap.
- Make sure your existing plumbing fixtures are long enough to connect to the new sink in its designated position.
- If you are unsure about fitting the sink, we recommend consulting a professional installer.
- All ceramic sinks should be supported underneath with a strong, braced shelf (refer to Fig. 1.1). This shelf should allow for minor height adjustments at each corner and be designed for easy disassembly from below in case of accidental damage to the sink.

Belfast sinks should be installed with a worktop overhang of approximately 10 mm along the back and sides of the bowl. The cut-out depth should be designed so that the front wall of the sink extends outward by half the thickness of the sink wall. Refer to the image (Fig. 1.2).

## Procedure

1. Using the internal dimensions of the sink as a guide, measure 10 mm inward from these dimensions and mark the outline on your worktop
2. Cut the opening using a jigsaw or router. At this point, it is recommended to assemble the sink and waste components to check their fit within the worktop. Ensure there is a 5 mm clearance around the sink to allow for expansion.
3. Once satisfied with the positioning of the sink and waste kit, install any necessary rails and worktop supports.
4. Temporarily remove the sink and apply a bead of silicone to the base unit and the underside of the worktop overhang. This will provide additional support between the sink's top rim and the worktop underside. Reposition the sink as desired and allow it to set securely to the base unit.

## Care and Cleaning

Never use abrasive cleaners or applicators, as these often contain sand or silica, which can scratch the surface over time. To maintain the shine of your enamel surface, we recommend applying a diluted bleach solution every 2 to 3 days. Use a sponge or soft kitchen cloth to apply, then rinse the sink thoroughly with plenty of water. This will not only help keep the surface gleaming but also ensure it remains hygienic.

**Note:** Bleach can be harmful if ingested or if it comes into contact with your skin or clothes, so always wear rubber gloves and rinse the sink well. Make sure the area is well-ventilated, as bleach releases strong fumes.

**Care:** The glossy surface of the sink is sensitive to damage from sharp or metallic objects, with metal cutlery being the most damaging. To protect the surface, avoid contact with metal items by using plastic bowls, cutlery holders, and drainers with non-abrasive bases.

**Important:** Do not overtighten any fittings, as this may cause the ceramic sink to crack.

# BOCCHI

---

Unit 6, Sundon  
Business Park,  
Dencora Way  
Luton, Bedfordshire  
LU3 3HP

**Customer Service**  
**E:** [contact@bocchiuk.co.uk](mailto:contact@bocchiuk.co.uk)  
**[www.bocchiuk.co.uk](http://www.bocchiuk.co.uk)**